



powerful Output

robust & compact

made in Germany

The **Viper nt** is a powerful fog generator, that unites the current digital technology with proven technique and power.

New features guarantee a much more simple operation - place and fog, reducing the amount of time needed to set up the machine.

The **Viper nt** is the perfect machine for events, concerts, special effects, theme parks, for fire fighter and catastrophe trainings and much more.

Features

- Finest adjustments of the output
Digital technology enables fine adjustments of the pump. In steps of 1% the output can be adjusted from 0 - 99%. Thus, any desired effect - from a tiny fog cloud to the thickest continuous fog - can be produced. This allows an individual adaptation to the dimensions of the room.

- DMX 512 serienmäßig
The **Viper nt** can be controlled via *DMX 512*. The connection is done with 5pin-XLR-plugs. The DMX start address can be adjusted and saved via the control panel. The address remains saved also when the machine is unplugged.

The machine can also be controlled with *analog (0 - 10V)* via a lighting desk or a XLR-remote (option). The pump can be adjusted via the analog control. The connection is done with 3-pin-XLR-plug.

A *Stand-Along-Mode* is possible as well. The adjustments of the pump and is done directly at the machine. Pressing the start button once, the machine starts running with the pre-adjusted level.

- Internal timer
With the internal timer, the fogging time can be adjusted in seconds, the wait time in minutes and the output in %. Once the timer is activated, the adjusted program will run until the timer is deactivated.

- Control panel
The control panel with LED display and simple symbols allow an easy operation. It also protects the control buttons against dirt.

Liquid

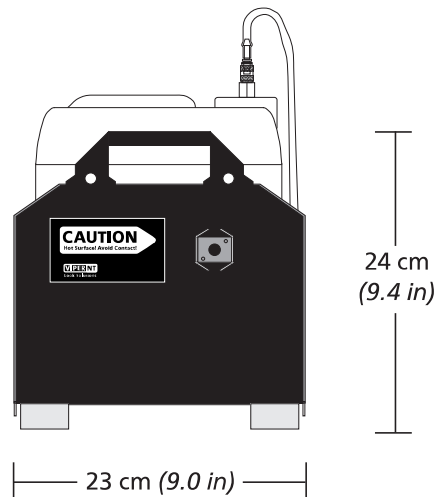
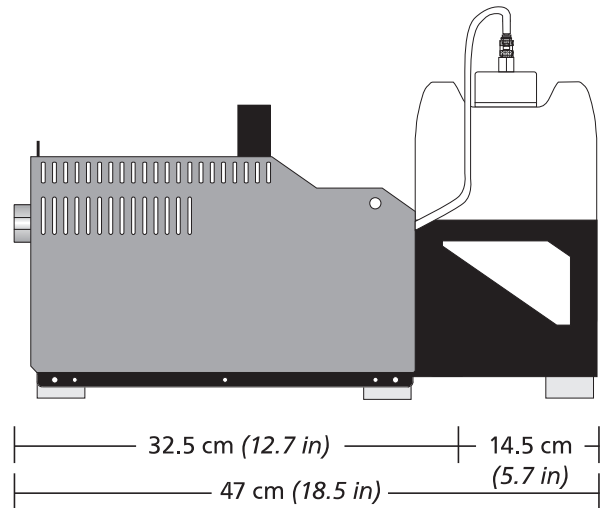
The following Look fog liquids are available for the **Viper nt**:

- Quick-Fog (thick, quick disappearing fog liquid)
- Regular-Fog (thick, long lasting fog liquid)
- Slow-Fog (thick, extremely long lasting fog liquid)

Specifications

Procedure	Vaporizing fog generator
Power requirement	1300 Watt
Voltage	230 V/50 Hz or 120 V/60 Hz
Heat-up time	approx. 7 min.
Fluid consumption at max. output at continuous output	120 ml/min. (4 oz) 35 ml/min. (1.1 oz)
Fluid tank capacity	5 liter (169 oz)
Fog output	adjustable in 99 steps (1% steps)
Output projection	max. 15 m
Fog time at 100% output at < 50% output	approx. 30 sec. continuous output
Temperature control	microprocessor controlled
Overheating protection	Heater block with thermostat Pump with temperature switch
Control	DMX 512 0-10 V analog Stand alone internal timer Radio remotr (option)
Maße (L x W x H)	47 x 23 x 24 cm (18.5 x 9 x 9.4 in)
Weight without canister	approx. 8.6 kg (18.9 lb)

Dimensions



Advantages

- DMX 512 as standard, analog (0 - 10 V) and Stand-Alone-Mode
- Internal timer
- Control panel with LED-display and simple symbols for an easy operation
- Powerful output
- Fog output adjustable in steps of 1% from 0 - 99%
- Continuous output
- Made in Germany

Accessories

- XLR-remote for analog control
- Radio remote
- Duct adaptor for hose diameter 100 mm
- Hanging set
- Flightcase